

Condulet GUA conduit outlet boxes with covers

Cl. I, Div. 1 & 2, Groups B, C, D
Cl. II, Div. 1, Groups E, F, G
Cl. II, Div. 2, Groups F, G
Cl. III
NEMA 3, 4, 7CD, 9EFG

Explosionproof
Dust-ignitionproof
Raintight
Wet Locations

3F

Applications:

GUA conduit outlet boxes are installed within hazardous area conduit systems to:

- Protect conductors in threaded rigid conduit
- Act as pull and splice boxes
- Connect lengths of conduit
- Change conduit direction
- Provide access to conductors for maintenance and future system changes
- Act as mounting outlets for fixtures (with appropriate covers)
- Act as sealing fittings (with appropriate covers)

Features:

GUA conduit boxes have:

- Neoprene o-ring standard to meet NEMA 4 requirements
- Cast ears on cover to permit easy removal and tightening
- Internal green ground screw #8
- Four standard mounting pads except for boxes with bottom hubs
- Threaded cover openings
- Ten different hub arrangements
- Taper threaded hubs to provide grounding continuity
- Smooth integral hub bushing protects conductor insulation when pulling
- Surface covers furnished with boxes
- Sealing covers, dome covers and fixture hanger covers are available
- Cover threads are 12 pitch standard; 16 pitch on select aluminum shapes and sizes

Certifications and compliances:

NEC/CEC:

- Class I, Divisions 1 & 2, Groups B, C, D
- Class II, Division 1, Groups E, F, G
- Class II, Division 2, Groups F, G
- Class III

UL standard:

- UL1203

ANSI standard:

- C33.27

CSA standard:

- C22.2 No. 30

Environmental ratings:

- NEMA/EEMAC 3, 4

Standard materials:

- Bodies – Feraloy iron alloy
- Covers – copper-free aluminum

Standard finishes:

- Feraloy iron alloy – electrogalvanized and aluminum acrylic paint
- Aluminum – natural

Options:

Description

- Bodies – copper-free aluminum **SA**
Available in select shapes and sizes
- Covers – Feraloy iron alloy..... **WOD**
Electrogalvanized and aluminum acrylic paint finish
- GUA Form 6 (with 3" cover opening)..... **VW**
Available with optional cover with viewing window
- Corro-free epoxy powder coat..... **S752**
- To order box less cover..... **Add '0' to end of catalog number**
- Factory installed terminal blocks mounted to DIN rail..... **DIN12-122**
See page 56 for ordering information
- Factory installed terminal blocks directly mounted to outlet box..... **TB14-112**
See page 56 for ordering information

Note: When assembled with sealing type cover, GUA outlet boxes provide adequate sealing for 40% fill in hazardous areas – Class I, Groups C, D; Class II, Groups E, F, G; and Class III. Seals can be made in either horizontal or vertical positions. Use Chico® A sealing compound or Chico SpeedSeal® only. Conductor splices or connections must not be made in enclosures where sealing compound is to be used per NEC.

Ordering information:

GUA



Hub size	Cover opening dia.	Cat. #
1/2"	2"	GUA14
3/4"	2"	GUA24
1/2"	3"	GUA16
3/4"	3"	GUA26 ^A
1"	3"	GUA36
1 1/4"	3 5/8"	GUA47 ^B
1 1/2"	5"	GUA59

GUAC



Hub size	Cover opening dia.	Cat. #
1/2"	2"	GUAC14 ^B
3/4"	2"	GUAC24 ^B
1/2"	3"	GUAC16 ^A
3/4"	3"	GUAC26 ^A
1"	3"	GUAC36 ^A
1 1/4"	3 5/8"	GUAC47 ^B
1 1/4"	5"	GUAC49 ^A
1 1/2"	5"	GUAC59 ^A
2"	5"	GUAC69 ^A

GUAB



Hub size	Cover opening dia.	Cat. #
1/2"	2"	GUAB14 ^B
3/4"	2"	GUAB24
1/2"	3"	GUAB16 ^A
3/4"	3"	GUAB26 ^A
1"	3"	GUAB36 ^A
1 1/4"	3 5/8"	GUAB47 ^B
1 1/2"	5"	GUAB59 ^A
2"	5"	GUAB69 ^A

GUAD



Hub size	Cover opening dia.	Cat. #
1/2"	2"	GUAD14
3/4"	2"	GUAD24
1/2"	3"	GUAD16
3/4"	3"	GUAD26 ^B
1"	3"	GUAD36 ^B
1 1/4"	5"	GUAD49

^A May be ordered with suffix 'SA'; listed for Class I, Divisions 1 & 2, Groups B, C and D, Class II, Division 1, Groups E, F, G and Class III. Covers have 16 pitch threads.

^B May be ordered with suffix 'SA' (copper-free aluminum).

Condulet GUA conduit outlet boxes with covers

Cl. I, Div. 1 & 2, Groups B, C, D
 Cl. II, Div. 1, Groups E, F, G
 Cl. II, Div. 2, Groups F, G
 Cl. III
 NEMA 3, 4, 7CD, 9EFG

Explosionproof
 Dust-ignitionproof
 Raintight
 Wet Locations

3F
 3F

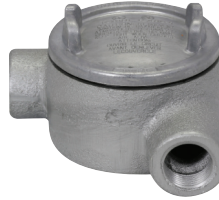
Ordering information (continued):

GUAL



Hub size	Cover opening dia.	Cat. #
1/2"	2"	GUAL14 D
3/4"	2"	GUAL24 D
1/2"	3"	GUAL16 C
3/4"	3"	GUAL26 C
1"	3"	GUAL36 C
1 1/4"	3 5/8"	GUAL47 D
1 1/2"	5"	GUAL49 C
1 1/2"	5"	GUAL59 C
2"	5"	GUAL69 C

GUAN



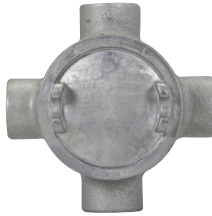
Hub size	Cover opening dia.	Cat. #
1/2"	2"	GUAN14
3/4"	2"	GUAN24
1/2"	3"	GUAN16
3/4"	3"	GUAN26
1"	3"	GUAN36
1 1/4"	3 5/8"	GUAN47
1 1/2"	5"	GUAN59
2"	5"	GUAN69

GUAT



Hub size	Cover opening dia.	Cat. #
1/2"	2"	GUAT14 D
3/4"	2"	GUAT24 D
1/2"	3"	GUAT16 C
3/4"	3"	GUAT26 C
1"	3"	GUAT36 C
1"	3 5/8"	GUAT37
1 1/4"	3 5/8"	GUAT47 D
1 1/4"	5"	GUAT49 C
1 1/2"	5"	GUAT59 C
2"	5"	GUAT69 C

GUAX



Hub size	Cover opening dia.	Cat. #
1/2"	2"	GUAX14
3/4"	2"	GUAX24
1/2"	3"	GUAX16 C
3/4"	3"	GUAX26 C
1"	3"	GUAX36 C
1"	3 5/8"	GUAX37 D
1 1/4"	3 5/8"	GUAX47 D
1 1/4"	5"	GUAX49 C
1 1/2"	5"	GUAX59 C
2"	5"	GUAX69 C

GUAM



Hub size	Cover opening dia.	Cat. #
1/2"	2"	GUAM14
3/4"	2"	GUAM24
1/2"	3"	GUAM16
3/4"	3"	GUAM26
1"	3"	GUAM36
1 1/4"	3 5/8"	GUAM47
2"	5"	GUAM69

GUAW



Hub size	Cover opening dia.	Cat. #
1/2"	2"	GUAW14
3/4"	2"	GUAW24 D
1/2"	3"	GUAW16
3/4"	3"	GUAW26 D

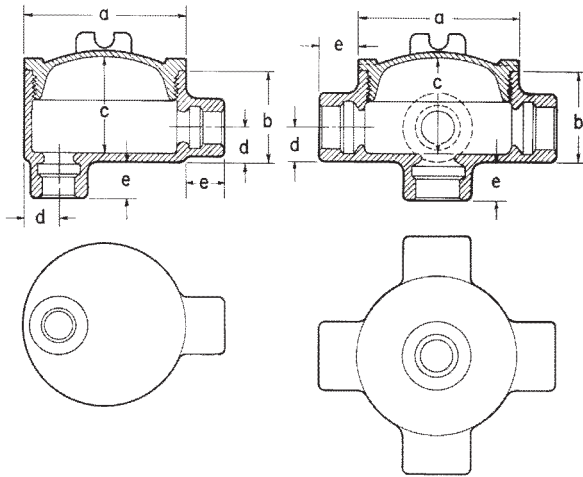
Condulet GUA conduit outlet boxes with covers

Cl. I, Div. 1 & 2, Groups B, C, D
 Cl. II, Div. 1, Groups E, F, G
 Cl. II, Div. 2, Groups F, G
 Cl. III
 NEMA 3, 4, 7CD, 9EFG

Explosionproof
 Dust-ignitionproof
 Raintight
 Wet Locations

3F

Dimensions (in inches):



GUAB only

All others

GUA, GUAD, GUAM, GUAW, GUAX

Cat. #	a	b	c	d
14	2 $\frac{1}{2}$	1 $\frac{15}{16}$	1 $\frac{3}{4}$	$\frac{5}{8}$
24	2 $\frac{1}{2}$	2	2	$\frac{3}{4}$
16	3 $\frac{1}{2}$	2	2 $\frac{1}{16}$	$\frac{5}{8}$
26	3 $\frac{1}{2}$	2	2 $\frac{1}{16}$	$\frac{3}{4}$
36	3 $\frac{1}{2}$	2 $\frac{5}{16}$	2 $\frac{7}{8}$	$\frac{7}{8}$
37	4 $\frac{1}{4}$	2 $\frac{11}{16}$	2 $\frac{5}{16}$	$\frac{7}{8}$
47	4 $\frac{1}{4}$	2 $\frac{11}{16}$	2 $\frac{5}{8}$	1 $\frac{3}{32}$
49	5 $\frac{3}{4}$	4 $\frac{1}{32}$	4 $\frac{3}{16}$	1 $\frac{3}{32}$
59	5 $\frac{3}{4}$	4 $\frac{1}{32}$	4 $\frac{3}{16}$	1 $\frac{7}{32}$
69	5 $\frac{3}{4}$	4 $\frac{1}{32}$	4 $\frac{7}{16}$	1 $\frac{1}{2}$

Hub size	Dimension 'e' length
$\frac{1}{2}$ " - $\frac{3}{4}$ "	$\frac{7}{8}$
1" - 1 $\frac{1}{4}$ "	1
1 $\frac{1}{2}$ " - 2"	1 $\frac{1}{16}$

GUAC, GUAT

Cat. #	a	b	c	d
14	2 $\frac{1}{2}$	2 $\frac{1}{4}$	2 $\frac{3}{16}$	$\frac{5}{8}$
24	2 $\frac{1}{2}$	2	2	$\frac{3}{4}$
16	3 $\frac{1}{2}$	2	2 $\frac{1}{16}$	$\frac{5}{8}$
26	3 $\frac{1}{2}$	2	2 $\frac{1}{16}$	$\frac{3}{4}$
36	3 $\frac{1}{2}$	2 $\frac{5}{16}$	2 $\frac{3}{8}$	$\frac{7}{8}$
37	4 $\frac{1}{4}$	2 $\frac{11}{16}$	2 $\frac{5}{16}$	$\frac{7}{8}$
47	4 $\frac{1}{4}$	2 $\frac{11}{16}$	2 $\frac{5}{8}$	1 $\frac{3}{32}$
49	5 $\frac{3}{4}$	4 $\frac{1}{32}$	4 $\frac{3}{16}$	1 $\frac{3}{32}$
59	5 $\frac{3}{4}$	4 $\frac{1}{32}$	4 $\frac{3}{16}$	1 $\frac{7}{32}$
69	5 $\frac{3}{4}$	4 $\frac{1}{32}$	4 $\frac{3}{16}$	1 $\frac{1}{2}$

GUAN

Cat. #	a	b	c	d
14	2 $\frac{1}{2}$	2 $\frac{1}{8}$	2 $\frac{1}{16}$	$\frac{5}{8}$
24	2 $\frac{1}{2}$	2 $\frac{5}{16}$	2 $\frac{1}{4}$	$\frac{3}{4}$
16	3 $\frac{1}{2}$	2	2 $\frac{1}{16}$	$\frac{5}{8}$
26	3 $\frac{1}{2}$	2	2 $\frac{1}{16}$	$\frac{3}{4}$
36	3 $\frac{1}{2}$	2 $\frac{5}{16}$	2 $\frac{3}{8}$	$\frac{7}{8}$
47	4 $\frac{1}{4}$	2 $\frac{11}{16}$	2 $\frac{5}{8}$	1 $\frac{3}{32}$
59	5 $\frac{3}{4}$	4 $\frac{1}{32}$	4 $\frac{3}{16}$	1 $\frac{7}{32}$
69	5 $\frac{3}{4}$	4 $\frac{1}{32}$	4 $\frac{3}{16}$	1 $\frac{1}{2}$

GUAB, GUAL

Cat. #	a	b	c	d
14	2 $\frac{1}{2}$	2 $\frac{1}{4}$	2 $\frac{3}{16}$	$\frac{5}{8}$
24	2 $\frac{1}{2}$	2 $\frac{1}{2}$	2 $\frac{1}{16}$	$\frac{3}{4}$
16	3 $\frac{1}{2}$	2	2 $\frac{1}{16}$	$\frac{5}{8}$
26	3 $\frac{1}{2}$	2	2 $\frac{1}{16}$	$\frac{3}{4}$
36	3 $\frac{1}{2}$	2 $\frac{5}{16}$	2 $\frac{3}{8}$	$\frac{7}{8}$
47	4 $\frac{1}{4}$	2 $\frac{11}{16}$	2 $\frac{5}{8}$	1 $\frac{3}{32}$
49	5 $\frac{3}{4}$	4 $\frac{1}{32}$	4 $\frac{3}{16}$	1 $\frac{3}{32}$
59	5 $\frac{3}{4}$	4 $\frac{1}{32}$	4 $\frac{3}{16}$	1 $\frac{7}{32}$
69	5 $\frac{3}{4}$	4 $\frac{1}{32}$	4 $\frac{3}{16}$	1 $\frac{1}{2}$

Condulet GUA conduit outlet boxes

Factory installed terminal block ordering guide

3F
3F

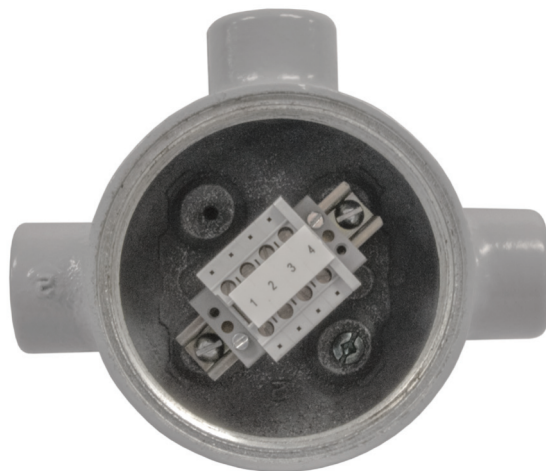
Ordering information:

DIN rail mounted terminal blocks

Electrical specifications:

30A, 150V, AWG 26-10

Cat. #	Description
DIN12	DIN rail mounted, 2 terminal blocks GUA (shapes C, L, T, X) Form 4, 6, 7 & 9 cover diameter openings
DIN13	DIN rail mounted, 3 terminal blocks GUA (shapes C, L, T, X) Form 4, 6, 7 & 9 cover diameter openings
DIN14	DIN rail mounted, 4 terminal blocks GUA (shapes C, L, T, X) Form 6, 7 & 9 cover diameter openings
DIN16	DIN rail mounted, 6 terminal blocks GUA (shapes C, L, T, X), GUAN26 Form 6, 7 & 9 cover diameter openings
DIN18	DIN rail mounted, 8 terminal blocks GUA (shapes C, L, T, X) Form 7 & 9 cover diameter opening
DIN112	DIN rail mounted, 12 terminal blocks GUA (shapes C, L, T, X) Form 9 cover diameter opening



Direct mounted terminal blocks

Electrical specifications:

30A, 300V, AWG 26-10

Cat. #	Description
TB14	Direct mounted terminal block, 4 poles GUA (shapes C, L, T, X) Form 6, 7 & 9 cover diameter openings
TB16	Direct mounted terminal block, 6 poles GUA (shapes C, L, T, X) Form 6, 7 & 9 cover diameter openings
TB18	Direct mounted terminal block, 8 poles GUA (shapes C, L, T, X) Form 7 & 9 cover diameter opening
TB112	Direct mounted terminal block, 12 poles GUA (shapes C, L, T, X) Form 9 cover diameter opening

